

TIRED OF USING FIVE DIFFERENT PIECES OF EQUIPMENT TO TRAIN YOUR PATIENT?



Try the Dynamic Stair Trainer All-in-One

Electronically adjustable stair height, curb trainer, parallel bars and more, in one space saving configuration. Two models of DST available: regular and compact



Accessory #1 WAH –Width Adjustable Handrail

The basic DST comes with two regular handrails. With the WAH you can adjust the width between the handrails to accommodate a variety of patients such as children and seniors.



Accessory #2 LHR –Long Hand Rails

Long handrails are 35 cm (13.5 in) longer than the basic handrails. These enable every physiotherapy facility to use the DST as parallel bars as well as a stair trainer. Available in fixed width and adjustable width (as shown in photo)



Accessory #3 RSR –Reversible Stair Ramp

- Enables patient having difficulties handling the regular slope to access the DST using a moderate slope or small stairs.
- Allows practicing walking on slopes.
- Adds three additional small stairs to the DST, creating a seven stair flight to practice on.



Accessory #4 CSRC –Convertible Stair Ramp Curb

Includes all benefits of the RSR and the following important features:

- Improves floor-to-ramp transition of patient.
- Presents a practice curb.
- In raised position, extends flat walking distance by 30%.



The Golden Combination: DST + LHR + CSRC

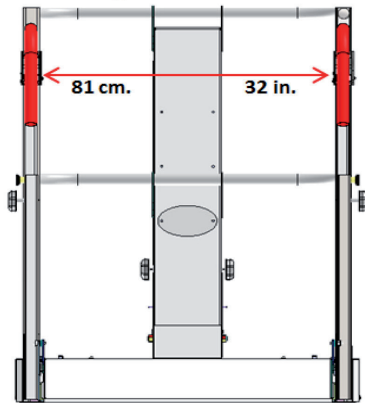
New!

The ultimate tool for stairs and gait training in a single effective space saving device.

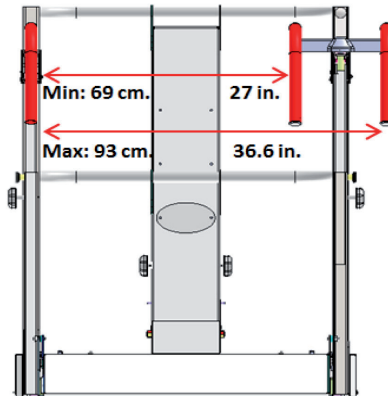


WAH –Width Adjustable Handrail

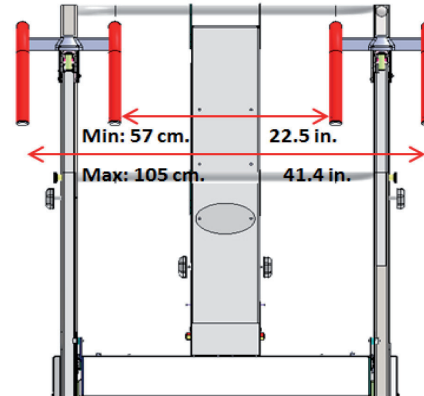
Regular Hand-Rails



DST-with one WAH

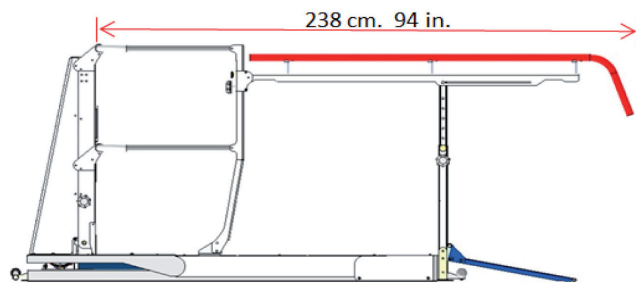


DST-with two WAH

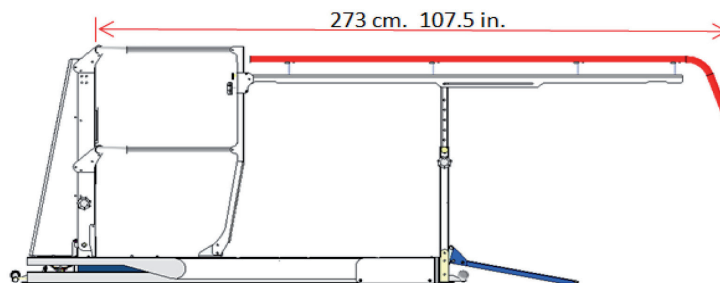


LHR –Long Hand Rails

Regular Hand rails



Long Hand Rails



Summary of DST's configurations (18 combinations available):

Without RSR/CSRC	With RSR	With CSRC
Basic DST	+	+
One WAH	+	+
Two WAH	+	+
Two fix LHR	+	+
One fix LHR and one adjustable LHR	+	+
Two adjustable LHR	+	+

For more exciting information on how your physiotherapy center can benefit from the DST and its accessories, contact your distributor and visit our website:
www.dpemed.com

Your distributor: Clarke Health Care Products, Inc.
7830 Steubenville Pike
Oakdale, PA 15071 USA
Ph: (888)347-4537, fax: (724)695-2922
www.clarkehealthcare.com



Manufacture:



DPE MEDICAL Ltd.
49 Yefe-nof, Shoeva 9085500 Israel
www.dpemed.com
info@dpemed.com