



QuattroPlus

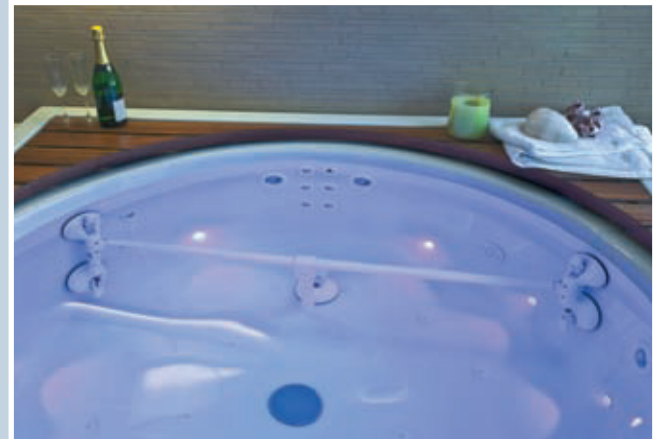
Mobile grab handles - the high-load variant.

High carrying load variant: The mobile vacuum grab handle QuattroPlus can be fastened at the wall and across a corner; it serves as horizontal training grab bar and as relocating assistance. The QuattroPlus has been patented in Europe and in the U.S. and can be used also by heavier persons because of its high load carrying capability.

QuattroPlus



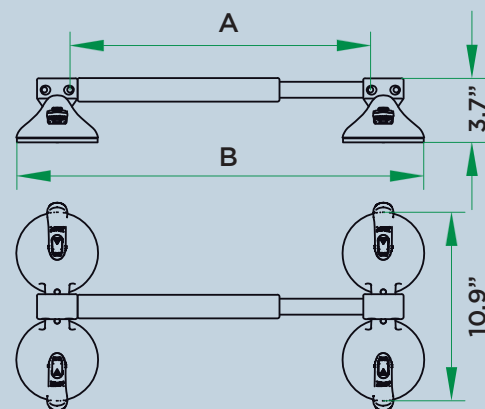
Here at Mobeli you can still find them: Experts who after consultation with our technical development department to develop a solution for your very special requirements and who will usually also be able to offer it to you in a short time. Usually our QuattroPlus will be at the heart of a custom design, but there is a multiplicity of combination possibilities with almost all components from the Mobeli system.



A name with substance: The Mobeli system. The high degree of compatibility of the individual grab handle components and the ingeniously simple quick-locking system provide for the possibility to construct whole grab handle railings. We will be pleased to advise you about suitable grab handle combinations for continuous grab handle railings and on the points you should pay particular attention to.



For example you may be looking for the correct Mobeli component system combination for a grab handle railing, e.g. assembled from TÜV-SÜD certified telescopic grab bars with lengths up to 50" and with a nominal carrying load of 150 lbs. You have come to the right place.



Mobeli building block system



The QuattroPlus as a training grab bar. Because of the integrated cardan joint it is possible to fasten the QuattroPlus at the door frame of a room. A precondition is a pore-tight and smooth surface for attachment, e.g., a metal frame. You only have wooden doors? Inquire about our self-adhesive stainless steel pads.

The QuattroPlus grab handle R1400244SU is designed for door frame internal dimensions from 30.8" to 35.5". By using the diagonal joint adapter these dimensions are extended by 6.5".

As a standard, the integrated cardan joint makes it possible to attach the QuattroPlus grab handle across a corner. If the grip is attached across a corner in the shower, you can pull yourself safely into the shower when entering and hold on to it while taking your shower.



The cardan joints integrated as a standard in QuattroPlus make the QuattroPlus very versatile. The nominal carrying load up to 275 lb. is thereby not impaired.

Integrated cardan joint

QuattroPlus

Mobile grab handles - ingeniously simple and safe.

If the mounting surface is flat, pore-tight, and firm, then the combination of diagonal joint adapter and integrated cardan joint makes nearly any arbitrary attachment possible. In order to withstand the enormous carrying loads that can operate on the grip, the developers at Mobeli have selected a special material combination: aluminium and plastic - durable and versatile.



The diagonal joint adapters specifically developed for the QuattroPlus make it possible to use the QuattroPlus in every direction and up to a nominal carrying load of 176 lb. You can find an explanation of the term "nominal carrying load" on the Mobili brochure on our website.

By using the diagonal joint adapter set, the total length of the grab handle is extended by 6.5".



Thanks to the diagonal joint adapter and its integrated cardan joint, the QuattroPlus can also be mounted diagonally over the bathtub; that's very helpful for getting in and out.



Diagonal joint adapter

MOBELI®	Grip length A	Total length B	Nominal load	Order No.
QuattroPlus	7.8"-12.6"	14"-18.9"	275.6 lb.	R1400241SU
QuattroPlus	12.5"-17.3"	18.7"-24.37"	275.6 lb.	R1400242SU
QuattroPlus	16.3"-21.2"	22.6"-27.49"	242.5 lb.	R1400243SU
QuattroPlus	25"-30"	31.39"-36.27"	245.5 lb.	R1400244SU
Diagonal joint adapter set for QuattroPower			176.4 lb.	R1400557

* See the dimensions of A and B in the sketch on page 2



QuattroPower Support

Power-System - reliable and versatile.

QuattroPower Support

Quick and firm hold without drilling. Just position the QuattroPower supporting system, press down the vacuum tilting lever – ready. You now have a reliable aid for getting up on all smooth and pore-tight surfaces.



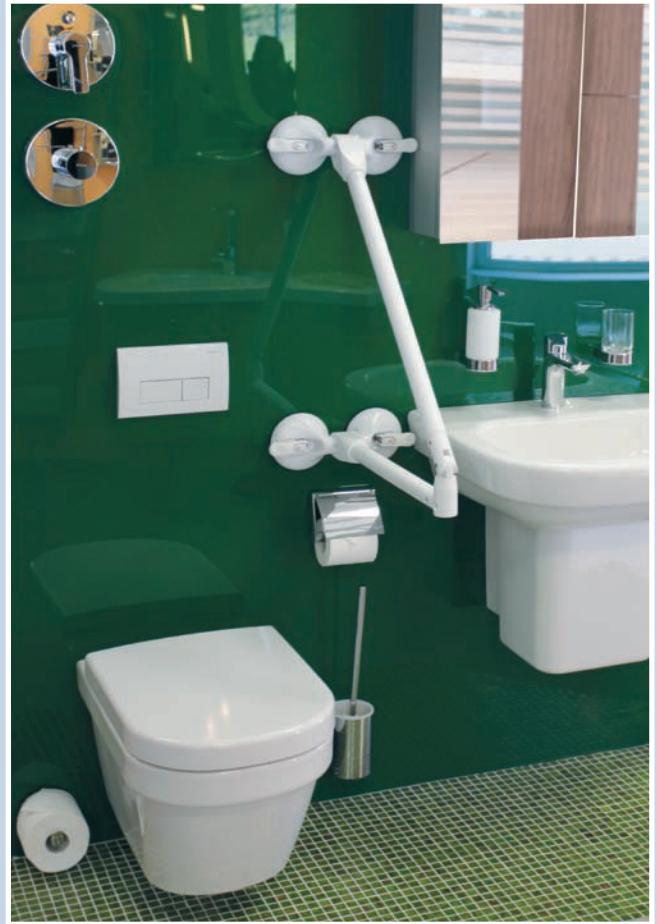
The supporting system (QP) QuattroPower Support with its four suction pads distributes the leverage forces acting on the wall. Advantage: It can even be attached on tiled cavity walls (e.g. sandwich plaster board planking), thus eliminating the need for expensive rebuilding to reinforce the walls so that screw-on grab handles might be attached. The QuattroPower Support supporting systems have a nominal carrying load of up to 176 lb.

Very popular near a wall is the combination of a QuattroPower supporting grip with a classical Mobeli grab handle (fixed length or telescopic).



You have a round or mosaic tiled bath tub? Versatile and adaptable, the Mobeli system can offer a solution even in these cases. The QuattroPower supporting grip, mounted upward at the rear tile wall, provides you with safe entry and exit.





The toilet tissue holder for two rolls of toilet paper can be simply and quickly attached to the QuattroPower.

This handy accessory can also be clipped onto nearly all other mobile grab handles of the Mobeli system.

QuattroPower Support

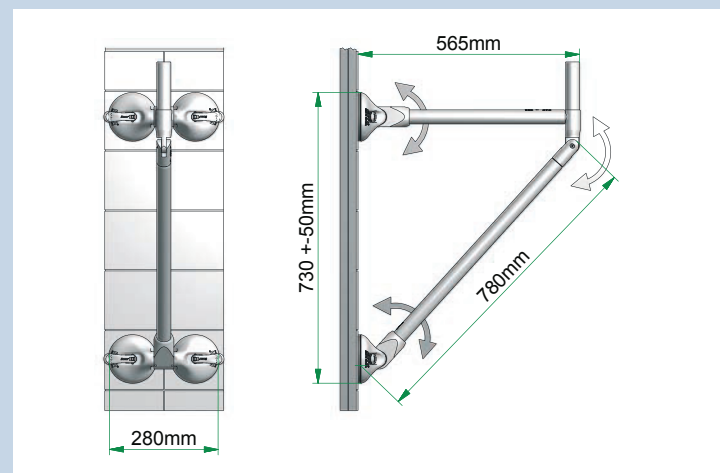
Depending upon requirements and room conditions, this supporting system can be attached e.g., on both sides of the WC upward and/or downward. An attachment upward offers additional possibilities for support or pulling up. Our QP supporting systems offer a multitude of attachment variants and permit use with partially completed new tasks as, e.g., in physiotherapy.

An additional grasp horn for the QP Support facilitates getting up and can also be used as a toilet tissue holder.

All grips of the QuattroPower supporting system are equipped with swivelling double joints and built-in safety brakes that prevent an inadvertent lifting up and yet enable folding up to the wall.

Well-suited for travelling. You can quickly and simply disassemble the QP. It takes up little space in your luggage and is quickly operational again when needed.

Space-saving minimal solution: You can rebuild the QP to a simple grab handle with four suction pads and attach it directly at the wall or across a corner.



MOBELI®	Grip length	Nominal load	Order No.
QuattroPower Support	22"	176 lb.	R1400265SU
QuattroPower Support with grip horn	22"	176 lb.	R1400266SU
Dual toilet paper holder			R1400650



The Mobeli supporting system QuattroPower Tub can be attached inside and outside of the bathtub. It is able to endure high pull and vertical loads and even lateral loads of up to 110 lb. of nominal carrying load.

Good to know: The suction pads hold even under water.

If you do not need the supporting system any longer you can fold it up. A joint stopper holds the lifted QuattroPower Tub in the vertical position.



QuattroPower Tub

Power system - reliable and versatile.

Optimized for the bathtub: The Mobeli supporting system QuattroPower Tub is excellently suited for getting into and out of the bathtub. With this patented supporting system you do not only get safely into the bathtub but also safely out of it again.

You can purchase the QP Tub either with or without grip extension. The extension enables broader and thus safer grasping; it efficiently utilizes your energy expenditure and prevents rotating of the body when stepping out.

With the QP Tub you have at your disposition a reliable aid for placing on all smooth and pore-tight surfaces.

Seize the grab bar with both hands before entering or exiting the bathtub and release it only when you sit safely or stand firmly.

Very flexible: The QuattroPower Tub can be attached on the outside or on the inside of your bathtub.

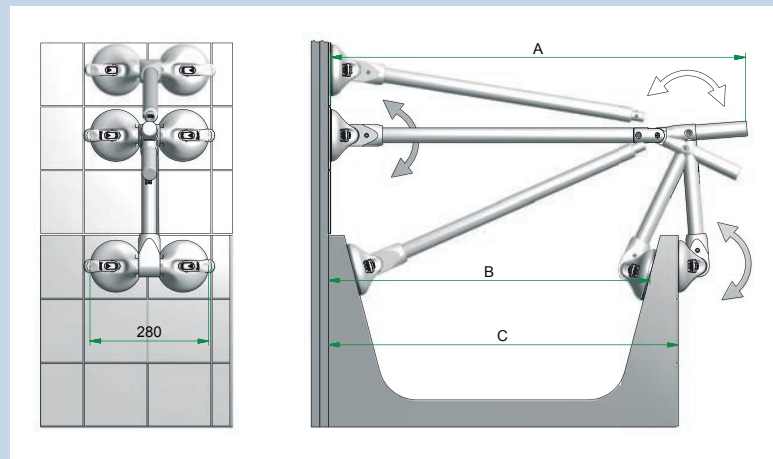


QuattroPower Tub

Optimal. The QuattroPower bathtub systems can be swivelled at three points and thus perfectly adapted to the shape of your bathtub or your bathroom facilities.

Note: The grips are available in two different lengths. When ordering, please take into consideration the dimensions **B** and **C** of your bathtub.

If you have any questions concerning dimensions or possible fields of application of our supporting systems, please ask our team of experts.



MOBELI	Dimension A	Dimension B	Dimension C	Order No.
QuattroPower Tub (short)	28.8"	24.5"-33.15"	23.4"-28"	R1400263SU
QuattroPower Tub (short) with grip extension	33.15"	24.5"-33.15"	23.4"-28"	R1400264SU
QuattroPower Tub (long)	33.5"	28.8"-38.2"	27.3"-33.5"	R1400261SU
QuattroPower Tub (long) with grip extension	38.2"	28.8"-38.2"	27.3"-33.5"	R1400262SU