

**boris.**



## **Instructions for use.**

**boris.** The comfortable toilet and shower chair.

  
**schuchmann®**



## Our promise.



### **Dear Customer,**

at this point we would like to thank you for placing your trust in our company and for purchasing our product. We ask you to read through the Instructions for use carefully prior to initial commissioning of the product, and to observe them. Please note that guidelines and representations in these Instructions for use may deviate from your product due to differing equipment.

We reserve the right to make technical modifications.

### **Important information!**

Ensure that these Instructions for use remain with the product..

Your **schuchmann**-Team





<b>1. Preparation.</b>	<b>06</b>
1.1 Transport	06
1.2 Safety measures prior to use	06
1.3 Safe disposal	06
1.3.1 Packaging	06
1.3.2 Product	06
1.4 Where to keep the instructions for use	06
<b>2. Product description.</b>	<b>07</b>
2.1 General information	07
2.2 Handling / transport	07
2.3 Application areas, use according to the intended purpose	07
2.4 Use not in accordance with the intended purpose / warning guidelines	08
2.5 Equipment for basic model	09
2.6 List of accessories	09
2.7 Product overview	09
<b>Settings</b>	
3.1 Seat angle adjustment	10
3.2 Castors	10
3.3 Seat height adjustment	11
<b>4. Accessories.</b>	<b>11</b>
4.1 Toilet bucket	11
4.2 Headrest	12
4.3 Footrest	12
4.6 PU insertion pad, two-part	14
4.8 PU calf plate	14
<b>5. Repairs and cleaning.</b>	<b>14</b>
5.1 Care	14
5.2a Repairs	15
5.2b Reparatur	15
5.3 Ersatzteile	15
5.4 Duration of use and re-use	15
<b>6. Technical data.</b>	<b>16</b>
<b>7. Guarantee.</b>	<b>17</b>
<b>8. Identifizierung.</b>	<b>18</b>
8.1 EC declaration of conformity	18
8.2 Serial number / date of manufacture	19
8.3 Product version	19
8.4 Issue of the document	19
8.5 Name and address of the manufacturer, specialist dealer supplying the product	19



# 1. Preparation.

## 1.1 Transport

On receiving the product, please check it for completeness, lack of faults and check it for any transport damage.

### Inspect the goods in the presence of your forwarder

Should transport damage have occurred, please cause an inventory (determination of the faults) to be made in the presence of the forwarder. Please send a complaint in writing to the specialist dealer responsible.

## 1.2 Safety measures prior to use

Correct usage of the toilet and shower chair requires precise and careful training of the accompanying person. We ask you to read through the instructions for use carefully prior to initial commissioning of the toilet and shower chair, and to observe them.

## 1.3 Safe disposal

In order to preserve and protect the environment, to prevent environmental pollution, and to improve the recycling of raw materials, please note the disposal instructions in **points 1.3.1** and **1.3.2**.

### 1.3.1 Packaging

The product packaging should be stored in case the product needs to be transported again. Should you have to return the product for repairs or in case of a guarantee claim, please if possible use the original box so that the product is optimally packaged. Separate the packaging materials for recycling according to their classification. Do not leave packaging materials unattended, as they are a possible source of danger.

### 1.3.2 Product

Separate the raw materials used in the product for recycling according to their classification (see material information under **2.1**)

## 1.4 Where to keep the instructions for use

Please store these instructions for use carefully and ensure that these instructions for use remain with the product in case of re-use.

## 2. Product description.

### 2.1 General information

The seat pan is made of a UV-resistant, deep-drawn PE plastic. All metal parts are produced from rustproof steel and in part are powder-coated. BORIS is a sturdy toilet and shower chair for at home and in facilities. Its anatomically-shaped seat pan gives children and teenagers special support. It can be used as a toilet chair and a shower chair, and is provided in 5 sizes. As a toilet chair, it can be used with the toilet or as a standalone device with a toilet bucket.

### 2.2 Handling / transport

The toilet and shower chair is not designed to be carried, because it is equipped with castors. Should you have to carry the equipment due to obstacles, ensure that all moving parts are tightened. Then position yourself next to the hygiene system, grip it on both sides under the support head and carry it to the required location. To transport the hygiene system, reduce all adjustments to their most compact size (fold up foot bench, set lowest seat height etc.). Tighten all moving parts prior to carrying.

### 2.3 Application areas, use according to the intended purpose

**boris.** can be used as a toilet chair over the toilet or as a standalone device with a toilet bucket, or as a shower chair. Please observe the following guidelines:

#### Over the toilet

Open the toilet lid and the seat. Adjust the height of the seat pan to the toilet height. Remove the toilet bucket. Move the toilet chair backwards over the toilet and lock the rollers.

#### Standalone unit

As a standalone unit, **boris.** can only be used with toilet buckets.

#### As a shower chair

**boris.** consists of water-resistant materials, and can therefore be used as a shower chair.



## 2. Product description.



### **2.4 Use not in accordance with the intended purpose / warning guidelines**

- Correct usage of the product requires precise and careful training of the accompanying person.
- The toilet and shower chair may only be used on stable and flat ground.
- Please observe the „Technical data“ in these instructions for use for the maximum permitted patient weight.
- The toilet and shower chair may not be used without supervision.
- The toilet and shower chair may not be used to transport people.
- During adjustment, the patient should not be able to touch the moving parts.
- Only use accessories and spare parts made by Schuchmann, otherwise you will endanger the child.
- Only use the toilet and shower chair if all components have been correctly mounted and adjusted.
- Please read out the Instructions for use for users suffering from a visual or reading impairment, so that they can use the subframe safely.



## 2. Product description.

### 2.5 Equipment for basic model

- Anatomically-shaped seat pan made of PE, colour steel blue
- Sub-frame made of stainless steel
- Seat angle adjustment via gas pressure spring 200N
- Mechanical height adjustment
- 4 dual castors (100 mm) with locking devices

### 2.6 List of accessories

- |                    |                   |                  |
|--------------------|-------------------|------------------|
| • PU headrest      | • Toilet bucket   | • Fixation vest  |
| • PU insertion pad | • Abduction wedge | • Pelvic harness |
| • Table            | • Footrest        | • Belt holder    |

### 2.7 Product overview

The Fig. below is intended to show you the designation of the most important components as well as the terms which you will find in these Instructions for use.



## 3. Settings.

Settings and adjustments to the product or accessories may only be made by people who have been given the necessary instructions by a medical product advisor. Please ensure that none of the user's extremities are in the respective area when making adjustments of any kind to minimise the risk of injury.

### 3.1 Seat angle adjustment

You can infinitely adjust the seat pan from (-) 5° active to 30° passive. To do this, press the foot pedal (A) at the front right in travel direction on the base frame, so that the seat pan angle can be adjusted under slight pressure or tension. After adjustment, simply let go of the foot pedal again.

The foot pedal can be secured against inadvertent operation with the spring pin (located on the inside of the foot pedal). To do this, turn the spring pin until it engages. If necessary, assist engagement by moving the foot pedal gently. The locking effect is cancelled by pulling out the spring pin and turning it a quarter turn.

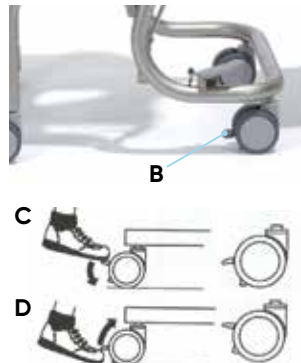


### 3.2 Castors

The toilet and shower chair should always be prevented from rolling away inadvertently through braking of the 4 castors. To do this, press the brakes (B) down with the tip of your foot.



**The brake serves merely to prevent inadvertent rolling away on level surfaces.**



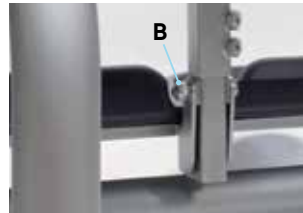
## 3. Einstellungen.

### 3.3 Seat height adjustment

You can adjust the height of the seat pan in 2.5 cm steps. To do this, first loosen the two cap nuts (A) on the brackets between the pan and base frame on both sides. Now the height of the seat pan can be adjusted via the row of holes. Then please firmly re-tighten the nuts again. Now please re-adjust the gas pressure spring so that the seat angle is adjusted correctly again. To do this, unscrew the gas pressure spring bracket (B) screw completely out of the thread plate and reinsert it at the appropriate height.



**The setting may only be made with the seat unoccupied.**



## 4. Accessories.

### 4.1 Toilet bucket

The toilet bucket is pushed from the rear under the seat pan up to the stop. The narrow guide prevents the bucket from slipping out.



**After using the toilet bucket, please clean and disinfect it and the seat pan thoroughly. Only use standard commercial disinfectants.**



## 4. Accessories.

### 4.2 Headrest

The angle and height-adjustable headrest can be adapted to the respective patient.

#### Height adjustment:

To do this, loosen the screw (A) and adjust the height.

#### Angle adjustment:

To to this, loosen the screws (B) and the headrest can be adapted.



### 4.3 Footrest

The footrest can be adjusted in terms of the knee angle, foot angle and height, and can simply be folded up for easier access.

#### Height adjustment:

To do this, loosen the two grub screws (C) and adjust to the required height.



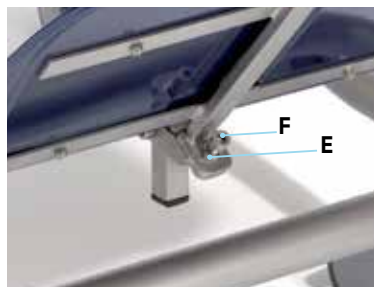
#### Knee angle adjustment:

To do this, loosen the clamping lever (D).



#### Foot angle adjustment:

First loosen the conternut (E) under the footrest, then screw the adjusting screw (F) in or out for adjustment of the foot angle, and re-tighten the conternut again.



**After all adjustment work, firmly re-tighten the screw connections you have loosened!**

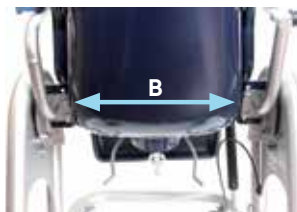
## 4. Accessories.

### 4.4 Table with padded armrest, pivotable

In order to pivot the table, for example to make getting in and out easier, the pull catch (A) is pulled and the table can be pivoted away around the bracket on the left-hand side of the pan frame, or removed completely. When pivoting back, ensure that the table is correctly engaged again.

The height of the table can be adjusted. To do this, loosen the screw connections (B) on both sides, adjust the height via the perforated plate and firmly re-tighten the screw connections.

It is advantageous if you remove the support table first, and then adjust the brackets individually.



**Caution risk of pinching! When installing the table, make sure that neither textiles nor parts of the body (fingers) are in the area when opening and closing the table. Between the table holder and frame results an area that is to be avoided with your fingers!**

### 4.5 Abduction block with integrated spray protection

The abduction block is inserted with the pin (C) into the round opening at the centre front of the seat pan, and pushed downwards until it engages audibly.

In order to remove the spray protection, pull out with slight pressure..



## 4. Zubehör.

### 4.6 PU insertion pad, two-part

For people sensitive to pressure, we offer a twopart insertion pad, which for example can easily be dismantled for cleaning purposes (with a mild detergent solution).

To do this, the pad knobs (A) are removed from the holes in the seat pan by pressing the knobs (A) through the holes through the backrest and the pad is removed.

On insertion of the pad knobs, press the pad back into the seat pan holes.



**Do not pull on the upholstery to remove the upholstery as this may damage the knobs for fixing the upholstery!**

### 4.8 PU calf plate

For better guidance of the lower leg, a height adjustable PU calf plate can be used in combination with the foot bench.



**Only for use in combination with the foot bench!**

## 5. Repairs and cleaning.

### 5.1 Care

Clean the seat and sub-frame regularly with a mild detergent solution and do not use bleaching agents.

Use standard commercial disinfectants for disinfection purposes. Please then rinse in clear water and allow to dry.

Please also pay attention to our general cleaning and hygiene advice. You can find them at [www.schuchmann.de/boris](http://www.schuchmann.de/boris)



**Do not use aggressive cleaning agents such as solvents, hard brushes etc.**

## 5. Instandhalten und Reinigen.

### 5.2a Repairs

Please carry out a daily visual inspection and check the toilet and shower chair regularly for cracks, breaks, missing parts and malfunctions. Observe the following notes:

WANN	WAS	ZU BEACHTEN
before each use	brake function, seat adjustment, visual inspection	Actuate the brake and check the function (see point 3.2). Check the function in the unused state (see point 3.1 + 3.3). Cracks, breaks or other defects.
monthly	screws attachment parts	Check tight fit of all screws. Check tight fit of all attachments.
half-yearly	Cleanliness, general condition	Please note the care instructions (see point 5.1). Check undercarriage, seat and accessories for integrity and replace if necessary.

### 5.2b Reparatur

In case of a defect or malfunction, please contact the specialist dealer who supplied you with the product (see **Point 8.5**).

### 5.3 Ersatzteile

Should you wish to order spare parts, please contact the specialist dealer who supplied you with the toilet and shower chair, stating the serial number (see **Point 8.5**).

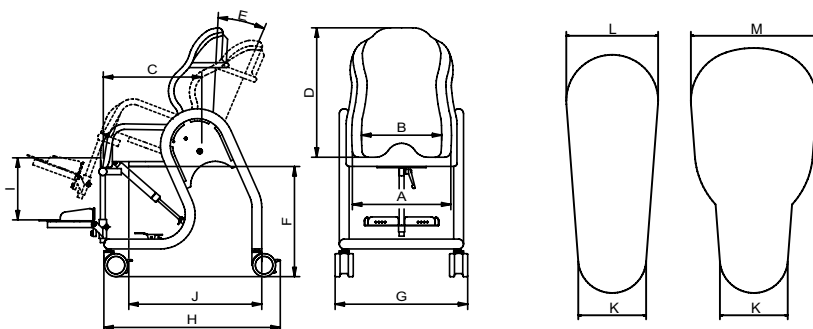
### 5.4 Duration of use and re-use

The expected duration of use of our product, dependent on the usage intensity and amount of re-use, totals up to „8“ years, if the usage takes place in accordance with the information in these instructions for use. It may be possible to use the product over and above this time period if it is in a safe condition. The expected duration of use does not refer to wear parts, such as for example covers, wheels, batteries... The maintenance and evaluation of the condition, and if applicable the potential for re-use must be decided by the specialist trader. The toilet and shower chair is suitable for re-use. Prior to forwarding on, please follow the cleaning and disinfection instructions in Chapter 5.1. Accompanying documents such as these instructions for use are part of the product, and must be transferred to the new user. No disassembly is required prior to re-use. In the case of storage, it is recommended to fold the product to the smallest dimension to save space.



## 6. Technical data.

### Dimensions - basic model



		Size 0	Size 1	Size 2	Size 3	Size 4
<b>A</b>	Seat width at front	31 cm	36 cm	41 cm	46 cm	51 cm
<b>B</b>	Seat width at rear	26 cm	31 cm	36 cm	41 cm	46 cm
<b>C</b>	Seat depth	31 cm	36 cm	41 cm	46 cm	48 cm
<b>D</b>	Back height	49 cm	51 cm	56 cm	61 cm	65 cm
<b>E</b>	Seat angle	(-)5° - 30°	(-)5° - 30°	(-)5° - 30°	(-)5° - 30°	(-)5° - 30°
<b>F</b>	Can be positioned over a toilet	47 - 57cm	45 - 55cm	42 - 52cm	42 - 52cm	42 - 52cm
<b>G</b>	Total width	56 cm	61 cm	63 cm	71,5 cm	74 cm
<b>H</b>	Total length	65 cm	65 cm	65 cm	70 cm	70 cm
<b>I</b>	Max. lower leg length	38 cm	38 cm	48 cm	48 cm	48 cm
<b>J</b>	Front edge of hygiene opening to back edge of subframe	47 cm	49 cm	51 cm	54 cm	57 cm
<b>K</b>	Front opening width	10 cm	10 cm	10 cm	10 cm	10 cm
<b>L</b>	Rear opening width	12 cm	12 cm	13,5 cm	13,5 cm	13,5 cm
<b>M*</b>	Rear opening width	-	-	18,5 cm	18,5 cm	18,5 cm
	Weight	28 kg	30 kg	33 kg	35 kg	38 kg
	Max. load	60 kg	80 kg	100 kg	100 kg	150 kg

\* only applies to Sizes 2 b. 3 b and 4 b



## 7. Guarantee.

The two-year statutory guarantee period shall apply for all products. This guarantee period shall begin with the delivery or handover of the goods. Should a verifiable material or manufacturing fault occur within this time period, we shall, after carriage paid return to us, view the indicated damage and, if applicable, either repair or deliver a new product at our discretion.



## 8. Identifizierung.

### 8.1 EC declaration of conformity

**Company** ..... Schuchmann GmbH & Co KG  
Dütestr. 3  
D-49205 Hasbergen  
Tel.: +49 (0) 54 05 / 909 - 0  
Fax: +49 (0) 54 05 / 909 - 109



declares on their sole responsibility that the product named below is classified as product class 1

**boris.** The comfortable toilet and shower chair  
Art. No.: 52 00 100 (Size 0)    52 01 100 (Size 1)    52 02 100 (Size 2a)  
          52 02 200 (Size 2b)    52 03 100 (Size 3a)    52 03 200 (Size 3b)  
          52 04 100 (Size 4a)    52 04 200 (Size 4b)

the relevant regulations of the regulations and guidelines for product class 1:

- EC Directive 93/42/EEC on medical products from 14th June 1993
- DIN EN 12182 Technical aids for the disabled
- EN ISO 14971 Medical products - Application of risk management on medical products
- ISO 7176-8 Wheelchairs - Part 8: Requirements and tests on static strength, impact and fatigue strength

This declaration of conformity applies only for products with the article numbers stated above and is valid until 31.12.2019.

**Date**                                    12.01.2017

**Signature**

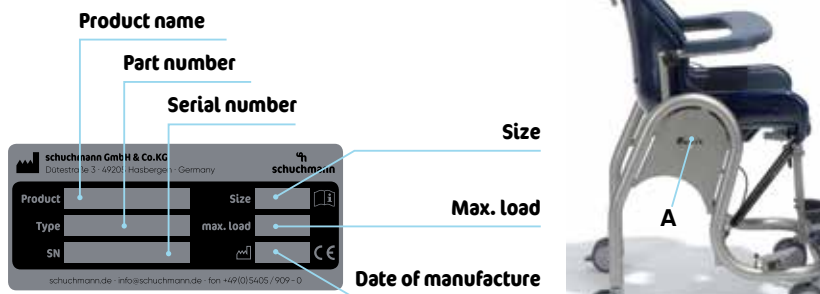
**Name**                                    Torsten Schuchmann

**Role**                                    Sicherheitsbeauftragter für Medizinprodukte

## 8. Identifizierung.

### 8.2 Serial number / date of manufacture

The serial number, the date of manufacture and other information can be found on the type plate, which is located on all of our products (A) (on the inside).



### 8.3 Product version

The BORIS toilet and shower chair is available in five sizes and can be supplemented through a diverse range of accessories (see **Point 4**).

### 8.4 Issue of the document

Instructions for use **boris**. – Change status G; Issue 09.2019

### 8.5 Name and address of the manufacturer, specialist dealer supplying the product

This product was manufactured by:



#### Schuchmann GmbH & Co. KG

Dütestraße 3 · 49205 Hasbergen

Tel. +49 (0)5405/909-0 · Fax +49 (0)5405/909-109

info@schuchmann.de · www.schuchmann.de

This product has been delivered by the following specialist dealer:





**schuchmann.de**